

## DH-CA-DW171E

600TVL Water-proof IR Mini Dome Camera



### Features

- 1/3" HDIS
- High resolution of 600TVL
- Day/Night(ICR), AWB, AGC, BLC
- 3.6mm fixed lens (2.8mm, 6mm optional)
- Max. IR LEDs length 20m
- IP66, DC12V

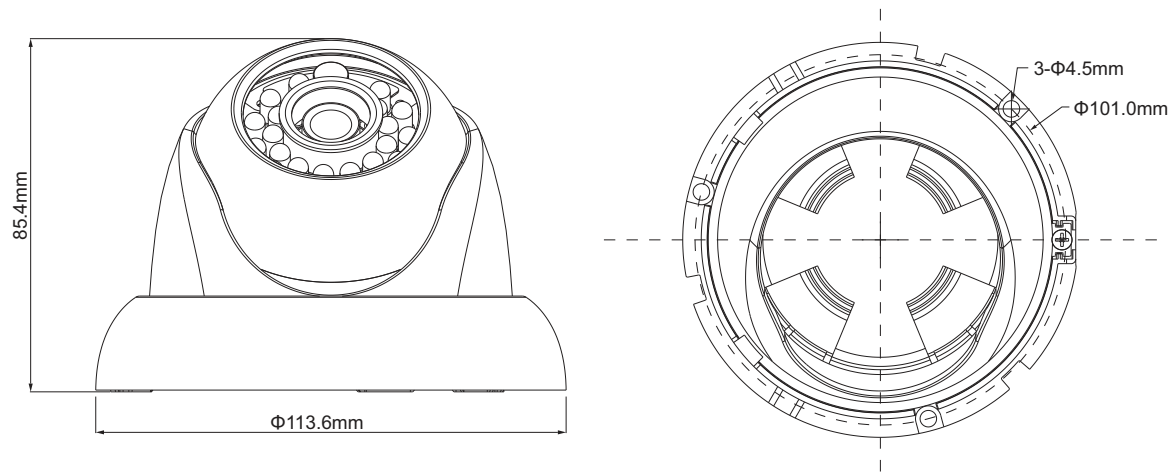
# DH-CA-DW171E

## Technical Specifications

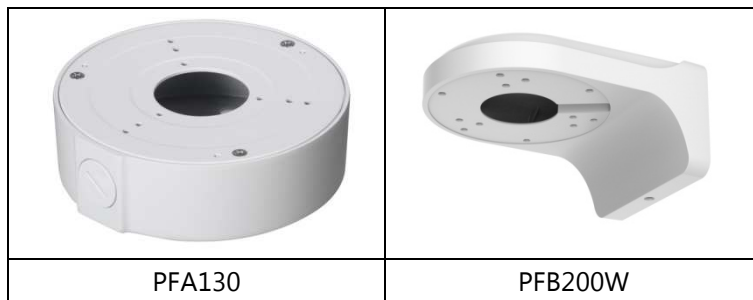
Model	DH-CA-DW171EP	DH-CA-DW171EN
<b>Camera</b>		
Image Sensor	1/3" HDIS	
Effective Pixels	720(H)×480(V)	
Horizontal Resolution	600TVL	
Electronic Shutter	1/50s~1/100,000s	1/60s~1/100,000s
Synchronization	Internal	
Min. Illumination	0.1Lux@F1.2(AGC ON), 0Lux IR on	
S/N Ratio	More than 65dB(AGC Off)	
Video Output	1Vp-p Composite Output (75Ω/BNC)	
<b>Camera Features</b>		
Max. IR LEDs Length	20m	
Day/Night	Auto(ICR) / Color / B/W	
Backlight Compensation	BLC	
White Balance	Auto	
Gain Control	Auto	
<b>Lens</b>		
Focal Length	3.6mm (2.8mm, 6mm optional)	
Mount Type	M12	
<b>General</b>		
Power Supply	DC12V±10%	
Power Consumption	Max 3W	
Working Environment	-40°C~+60°C / 20%~80%RH	
Ingress Protection	IP66	
Dimensions	Φ113.6mm×85.4mm	
Weight	0.3kg	

# DH-CA-DW171E

## Dimensions (mm)



## Accessories (optional)



---

### Dahua Technology Co., Ltd.

1187 BinAn Road, Binjiang District, Hangzhou, China

Tel: +86-571-87688883

Fax: +86-571-87688815

Email: [overseas@dahuatech.com](mailto:overseas@dahuatech.com)

[www.dahuatech.com](http://www.dahuatech.com)

\*Design and specifications are subject to change without notice.

© 2013 Dahua Technology Co., Ltd.