

DH-IPC-HF5121E

1.3MP HD WDR Network Camera



Features

- 1/3" 1.3Megapixel progressive scan CMOS
- Support H.264&MJPEG dual codec
- 25/30fps@1.3Mp(1280×960)
- Smart Detection supported
- WDR(120dB), Day/Night(ICR), 3DNR,AWB,AGC,BLC
- Multiple network monitoring: Web viewer, CMS(DSS/PSS) & DMSS
- 2/1 Alarm in/out, 1/1 audio in/out(Built-in Mic)
- Auto back focus(ABF)
- Micro SD memory, PoE

DH-IPC-HF5121E

Technical Specifications

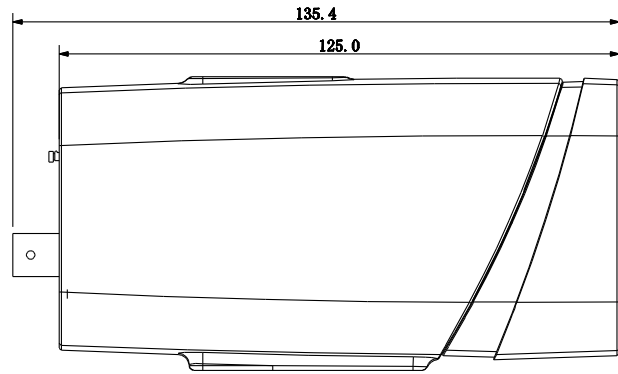
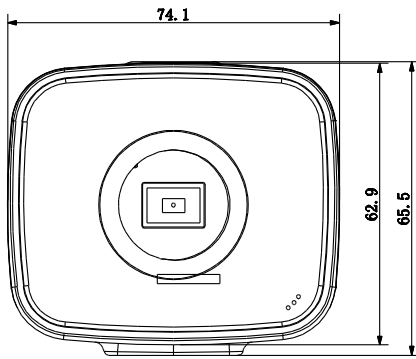
Model	DH-IPC-HF5121E	
Camera		
Image Sensor	1/3" 1.3Megapixel progressive scan CMOS	
Effective Pixels	1280(H)x960(V)	
Scanning System	Progressive	
Electronic Shutter Speed	Auto/Manual, 1/3(4)~1/100000s	
Min. Illumination	0. 01Lux/F1.2 (Color), 0.001Lux/F1.2(B/W)	
S/N Ratio	More than 50dB	
Video Output	1 channel BNC (1.0Vp-p, 75Ω)	
Camera Features		
Max. IR LEDs Length	N/A	
Day/Night	Auto(ICR)/Color/B/W	
Backlight Compensation	BLC / HLC / WDR(120dB)	
White Balance	Auto/Sunny/Night/Outdoor/Customized	
Gain Control	Auto/Manual	
Noise Reduction	3D	
Privacy Masking	Up to 4 areas	
Ultra Defog	Support	
Smart focus	ABF	
Lens		
Mount Type	C/CS	
Video		
Compression	H.264/H.264B/H.264H/ MJPEG	
Resolution	1.3M(1280×960)/720P(1280×720)/D1(704×576)/CIF(352×288)	
Frame Rate	Main Stream	1.3M(1 ~ 25/30fps)
	Sub Stream	D1/CIF(1 ~ 25/30fps)
	Third Stream	720P(1-14/7fps)
Bit Rate	H.264: 32K ~ 10Mbps	
ROI	Up to 4 areas	
Audio		
Compression	G.711a / G.711u /AAC	
Interface	1/1 channel In/Out(Built-in Mic)	
Smart Function		
Smart detection	Tripwire	
	Intrusion	
	Abandoned/Missing	
	Scene Change	
	Audio detect	
	Face detect	
Network		
Ethernet	RJ-45 (10/100Base-T)	

DH-IPC-HF5121E

Wi-Fi	N/A
Protocol	IPv4/IPv6, HTTP, HTTPS, SSL, TCP/IP, UDP, UPnP, ICMP, IGMP, SNMP, RTSP, RTP, SMTP, NTP, DHCP, DNS, PPPOE, DDNS, FTP, IP Filter, QoS, Bonjour, 802.1x
Compatibility	ONVIF, PSIA, CGI
Max. User Access	20 users
Smart Phone	iPhone, iPad, Android, Windows Phone
Auxiliary Interface	
Memory Slot	Micro SD, Max 128GB
RS485	1
Alarm	2/1 channel In/Out
General	
Power Supply	DC12V/AC24V, PoE (802.3af)
Power Consumption	Max 10W (ABF&ICR on)
Working Environment	-30°C~+60°C, Less than 95% RH
Ingress Protection	N/A
Dimensions	74.1mm×65.5mm×135.4mm
Weight	0.3Kg

DH-IPC-HF5121E

Dimensions (mm)



Accessory (optional)

PFB121W	PFB110W
	

Dahua Technology Co., Ltd.

1199 BinAn Road, Binjiang District, Hangzhou, China

Tel: +86-571-87688883

Fax: +86-571-87688815

Email: overseas@dahuatech.com

www.dahuasecurity.com

*Design and specifications are subject to change without notice.

DH-IPC-HF5121E
