

## DH-IPC-HF81200E

### 12 Megapixel Ultra HD Network Camera



### Features

- 1/2.3" 12 Megapixel progressive scan CMOS
- Support H.264/MJPEG dual codec
- Smart triple streams supported
- Max 15fps@12MP(4000x3000)
- Ultra Defog, ROI, EIS
- Smart detection:
  - Face detection
  - Tripwire detection
  - Intrusion detection
  - Scene change detection
- Auto back focus
- Bulit-in Mic
- 100/1000M Base-T Ethernet

# DH-IPC-HF81200E

## Technical Specifications

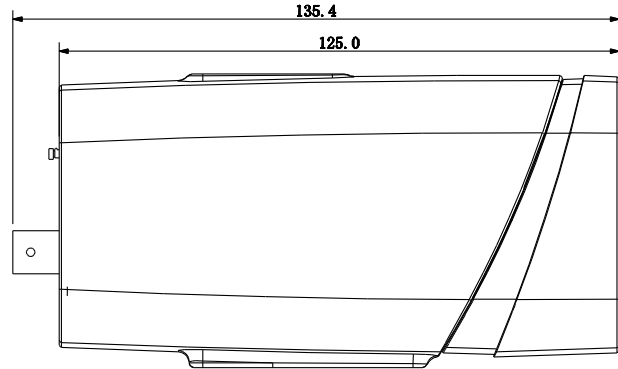
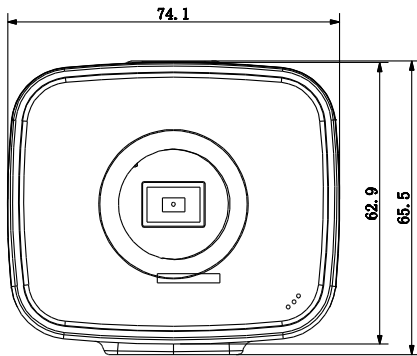
Model		DH-IPC-HF81200EP	DH-IPC-HF81200EN
<b>Camera</b>			
Image Sensor		1/2.3" 12Megapixel CMOS	
Effective Pixels		4000(H)x3000(V)	
Scanning System		Progressive	
Electronic Shutter Speed		Auto/Manual, 1/3~1/10000s	Auto/Manual, 1/4~1/10000s
Min. Illumination		Color: 0.01Lux/F1.2, B/W: 0.001Lux/F1.2	
S/N Ratio		More than 50dB	
Video Output		1 channel BNC (1.0Vp-p,75Ω)	
<b>Camera Features</b>			
Max. IR LEDs Length		N/A	
Day/Night		Auto(ICR)/Color/B/W	
Backlight Compensation		BLC / HLC / DWDR	
White Balance		Auto/Manual	
Gain Control		Auto/Manual	
Noise Reduction		3D	
Privacy Masking		Up to 4 areas	
EIS		Support	
Ultra Defog		Support	
Smart focus		ABF	
<b>Lens</b>			
Mount Type		C/CS	
<b>Video</b>			
Compression		H.264/MJPEG	
Resolution		12M(4000×3000)/8M(3840×2160)/1080P(1920×1080)/720P(1280×720) /D1(704×576) /CIF(352×288)	
Frame Rate	Main Stream	12M(1~15fps)/8M/1080P (1~25/30fps)	
	Sub Stream	D1/CIF(1 ~ 25/30fps)	
	Third Stream	1080P/720P/D1(1 ~ 50/60fps)	
Bit Rate		H.264: 32K ~ 96Mbps	
ROI		Up to 4 areas	
<b>Audio</b>			
Compression		G.711a / G.711u	
Interface		1/1 channel In/Out(Built in Mic)	
<b>Smart Function</b>			
Smart detection	Tripwire		
	Intrusion		
	Scene change		
	Missing/Abandoned		
	Audio detect		
	Face detect		
<b>Network</b>			

## DH-IPC-HF81200E

Ethernet	RJ-45 (10/100/1000Base-T)
Wi-Fi	N/A
Protocol	IPv4/IPv6, HTTP, HTTPS, SSL, TCP/IP, UDP, UPnP, ICMP, IGMP, SNMP, RTSP, RTP, SMTP, NTP, DHCP, DNS, PPPOE, DDNS, FTP, IP Filter, QoS, Bonjour
Compatibility	ONVIF, PSIA, CGI
Max. User Access	20 users
Smart Phone	iPhone, iPad, Android, Windows Phone
<b>Auxiliary Interface</b>	
Memory Slot	Micro SD, Max 128GB
RS485	1 port
Alarm	2/1 channel In/Out
<b>General</b>	
Power Supply	DC12V/AC24V, PoE (802.3af)
Power Consumption	Max12W (ABF&ICR on)
Working Environment	-30°C~+60°C, Less than 95% RH
Ingress Protection	N/A
Dimensions	74.1mm×65.5mm×135.4mm
Weight	0.3Kg

# DH-IPC-HF81200E

## Dimensions (mm)



## Accessory (optional)

				
PFB120W	PFB121W	PFA121	PFA152	PFA151

### Dahua Technology Co., Ltd.

1199 BinAn Road, Binjiang District, Hangzhou, China

Tel: +86-571-87688883

Fax: +86-571-87688815

Email: [overseas@dahuatech.com](mailto:overseas@dahuatech.com)

[www.dahuatech.com](http://www.dahuatech.com)

\*Design and specifications are subject to change without notice.

© 2014 Dahua Technology Co., Ltd.