

DH-TPC-BF5300

Thermal Network Bullet Camera



Features

- 336*256 VOx uncooled thermal sensor technology
- Athermalized Lens, Focus-free
- Support ROI, Motion Detection ,Color Palettes
- Built-in 2/1 alarm in/out
- Micro SD memory(Max 128G)
- Multiple network monitoring: Web viewer, CMS(DSS/PSS) & DMSS
- Tri-Mode for video output :IP/HDCVI/Analog
- H.264&MJPEG dual-stream encoding
- IP66, PoE

DH-TPC-BF5300

Technical Specifications

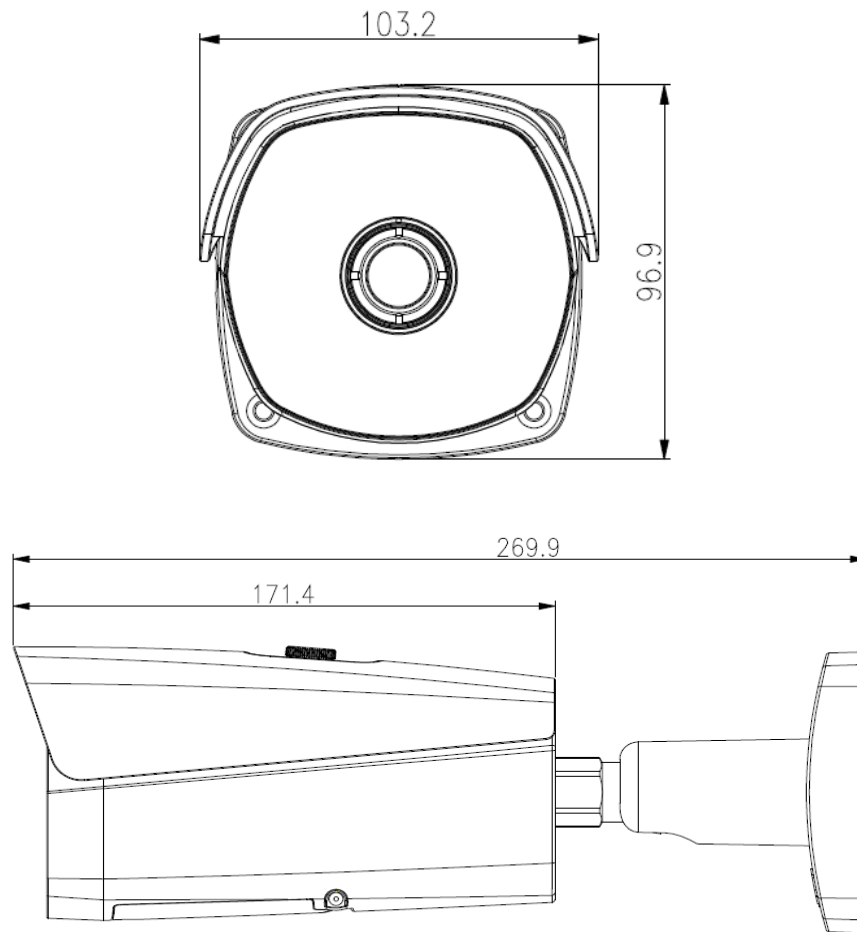
| | | | | |
|------------------------|------------------------|--|--|--|
| Model | | DH-TPC-BF5300 | | |
| Thermal Camera | | | | |
| Sensor Type | | Long Life, Uncooled VOx Microbolometer | | |
| Effective Pixels | | 336(H) x 256(V) | | |
| Pixel Size | | 17um | | |
| Thermal Sensitivity | | <40mK@f/1.0 | | |
| Spectral range | | 7.5~13.5um | | |
| Lens | | | | |
| Focal Length | | 7.5mm | 13mm | 19mm |
| Focus Range | | Athermalized ,Focus-free | | |
| Angle of View(H×V) | | 50° *38° | 25° *19° | 17° *13° |
| Effective Distance① | Man (1.8m*0.5m) | Detection:200m Recognition:50m Identification:30m | Detection:400m Recognition:100m Identification:50m | Detection:600m Recognition:150m Identification:70m |
| | Vehicle (2.3m*2.3m) | Detection:600m Recognition:150m Identification:60m | Detection:1000m Recognition:280m Identification:140m | Detection:1500m Recognition:400m Identification:200m |
| Camera Features | | | | |
| Digital Zoom | | 16X | | |
| Color Palettes | | 14(Whitehot/Blackhot/Ironrow/Icefire/Fusion\Rainbow\Globow\Iconbow1\Iconbow2 .etc) | | |
| ROI | | Support, Custom areas | | |
| Motion Detection | | Support | | |
| Video | | | | |
| Compression | | H.264Main profile/H.264High profile/M-JPEG | | |
| Frame Rate | Main Stream | 1280*1024(1 ~ 25/30fps) (default)/ 720P(1 ~ 25/30fps) | | |
| | Sub Stream | 640*360(1 ~ 25/30fps) (default)/ 640*512(1 ~ 25/30fps) | | |
| Bit Rate | | H.264: 448 ~8192Kbps | | |
| Video Output | | IP/ Analog (HDCVI Optional) | | |
| Smart Function | | | | |
| Smart detection | | Tripwire | | |
| | | Intrusion | | |
| | | Object Detect(People &Vehicle) | | |
| | | Heat source detect &alarm | | |
| Audio | | | | |
| Compression | | G.711a/G.711u(8K 16BIT) | | |
| Interface | | 1 channel Out | | |
| Network | | | | |
| Ethernet | | RJ-45 (10/100Base-T) | | |
| Protocol | | IPv4/IPv6, HTTP, HTTPS, SSL, TCP/IP, UDP, UPnP, ICMP, IGMP, SNMP, RTSP, RTP, SMTP, NTP, DHCP, DNS, PPPOE, DDNS, FTP, IP Filter, QoS, Bonjour | | |

DH-TPC-BF5300


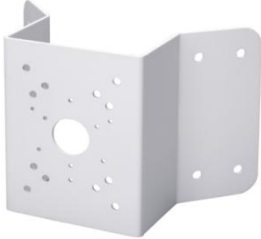

| | |
|---|--------------------------------------|
| Compatibility | ONVIF PSIA CGI |
| Max. User Access | 20 users |
| Smart Phone | iPhone, iPad, Android, Windows Phone |
| Auxiliary Interface | |
| Memory Slot | Micro SD, Max 128GB |
| RS485 | N/A |
| Alarm | 2/1 channel In/Out |
| Audio | 1 channel In |
| General | |
| Power Supply | AC24V/DC12V/POE |
| Power Consumption | <6W |
| Working Environment | -40°C~+60°C, Less than 95% RH |
| Ingress Protection | IP66 |
| Dimensions | 270 mm × 103mm× 97mm |
| Weight | 1.37kg |
| Note: ① Effective distance values shown are nominal values and should be used as estimates only. Exact value calculations depend on a wide variety of conditions. | |

DH-TPC-BF5300

Dimensions (mm)



Accessory (optional)

| PFA121 | PFA151 | PFA152 |
|---|---|---|
|  |  |  |

Dahua Technology Co., Ltd.

1199 BinAn Road, Binjiang District, Hangzhou, China

Tel: +86-571-87688883

Fax: +86-571-87688815

Email: overseas@dahuatech.com

www.dahuatech.com

*Design and specifications are subject to change without notice.

© 2015 Dahua Technology Co., Ltd.