

DS-2CD2520F



Key Features

- Up to 2 megapixel (1920 × 1080 @ 30 fps) resolution
- Standard video compression with high compression ratio
- Progressive scan CMOS
- Small and nice
- PoE (Power over Ethernet)
- Built-in Micro SD/SDHC/SDXC card slot, up to 64 GB
- 3D Digital Noise Reduction
- Support dual stream, and the sub-stream for mobile surveillance
- Support Backlight Compensation, Digital Wide Dynamic Range, Auto-electronic shutter and so on
- 3-axis adjustment for easy installation
- Ingress Protection level: IP66
- Impact Protection: IEC60068-2-75 test, Eh, 20J; EN50102, up to IK10
- Other functions: heartbeat, mirror image, reset button, etc.

Application Scenarios

It is suitable for low or no illumination environment with HD image quality like road, storage, underground park, bar, tube, garden and so on. Especially it can be used in monitor space needed HD image quality and imperceptibility like hotel, supermarket, office, passage, stairs, elevator, etc.

Specifications

| | |
|--------------|---|
| Model | DS-2CD2520F |
| parameters | 2 megapixel CMOS Network Mini Dome Camera |
| Camera | |
| Image Sensor | 1/2.8" Progressive Scan CMOS |

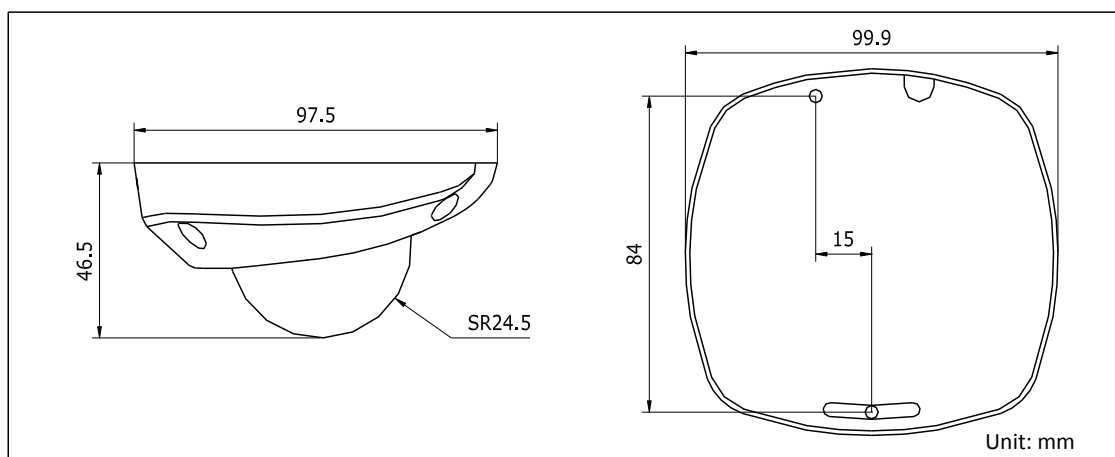
| | |
|-----------------------------|--|
| Min. Illumination | 0.05Lux @(F1.2,AGC ON) |
| Shutter Speed | 1/25(1/30) s to 1/100,000 s |
| Lens | 4mm@F2.0 (2.8mm optional) Angle of view: 79°(4mm) |
| Lens Mount | M12 |
| Day &Night | Electronic |
| Digital Noise Reduction | 3D DNR |
| Angle Adjustment | Pan: ± 15°, Tilt: 0 - 90°, Rotation: ± 15° |
| WDR | Digital WDR |
| Compression Standard | |
| Video Compression | H.264 / MJPEG |
| H.264 encoding level | Main Profile |
| Video Bit Rate | 32Kbps~16Mbps |
| Image | |
| Max. Resolution | 1920 × 1080 |
| Frame Rate | 50Hz: 25fps(1920 × 1080), 25fps (1280 × 960), 25fps (1280 × 720) 60Hz: 30fps(1920 × 1080), 30fps (1280 × 960), 30fps (1280 × 720) |
| Image Settings | Rotate mode, Saturation, Brightness, Contrast adjustable by client software or web browser |
| Backlight compensation | Yes, zone optional |
| ROI | Yes, up to 4 configurable areas |
| Network | |
| Network Storage | Local storage: Built-in Micro SD/SDHC/SDXC card slot, up to 64 GB. NAS |
| Alarm Trigger | Motion detection, Dynamic Analysis, Tampering alarm, Network disconnect, IP address conflict, Storage full, storage error |
| Protocols | TCP/IP,ICMP,HTTP,HTTPS,FTP,DHCP,DNS,DDNS,RTP,RTSP,RTCP, PPPoE,NTP,UPnP,SMTP,SNMP,IGMP,802.1X,QoS,IPv6,Bonjour |
| Standard | ONVIF, PSIA, CGI, ISAPI |
| General function | Flash-prevention, dual stream, reset button, heartbeat, mirror, password protection, video cover, watermark |
| Interface | |
| Communication | 1 RJ45 10M/100M Ethernet interface |
| General | |
| Operating Conditions | -30 °C – 60 °C (-22 °F – 140 °F) Humidity 95% or less (non-condensing) |
| Power Supply | 12 VDC±10% / PoE |
| Power Consumption | Max. 4W |

| | |
|-------------------|---|
| Protect level | IP66 |
| Impact Protection | IEC60068-275Eh, 20J; EN50102, up to IK10 |
| Dimensions (mm) | 99.9 × 97.5 × 46.5 mm (3.93" × 3.84" × 1.83") |
| Weight | 400 g (0.88 lbs) |

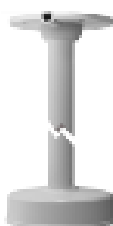
Order Model

DS-2CD2520F

Dimensions



Accessories



Pendant mount
DS-1271ZJ-120



Indoor/Outdoor wall mount
DS-1272ZJ-120