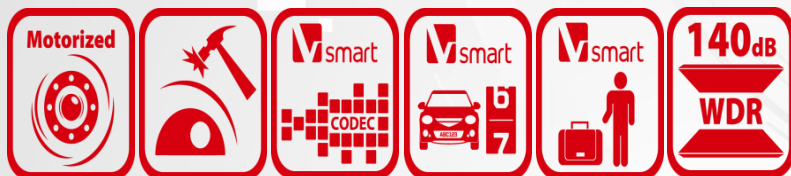


DS-2CD4125FWD-IZ 2MP Smart IP Indoor Dome Camera

LIGHTFIGHTER



The Lightfighter series Smart cameras are able to capture high quality colored images in back light environment. DS-2CD4125FWD offers Full HD resolution with up to 60fps high frame rate, 140dB WDR, PoE, Defog, 3D DNR and complete Smart Feature-set to meet a wide variety of applications.

Msmart IPC

DS-2CD4125FWD-IZ is Hikvision Smart IPC and features complete Smart functions including:

Smart Detection

Intrusion Detection, Line Crossing Detection, Object Left/Removal, Area Entering/Leaving, Scene Change Detection, Audio Surge Detection, Audio Loss Detection, Defocus Detection, Face Detection, Object Counting, etc.

Smart Codec

Smart Recording with dual-VCA, Low Bitrate, Low Latency, ROI enhancement, Multi-stream, Edge Recording, etc.

- 1/2.8" Progressive Scan CMOS
- 1080p @ 60fps frame rate
- High light environment
- Slow shutter
- 140dB WDR
- 3D DNR
- Audio/Alarm IO
- Support 128G on-board storage
- DC12V/PoE(802.3af)



Key Features

Smart

- 6 behavior analysis, 4 exception detections, 1 recognition, 1 statistic function.
- Smart recording: Support edge recording and dual-VCA.
- Smart encoding: Support low bit rate; low latency; ROI enhance encoding
- Smart lens options: AF lens

Image

- HD 1920 × 1080@60fps
- Support suitable for environment as corridor.
- Support regional cropping, details can be seen with low bandwidth.
- Code smoothness setting for different requirements of image quality and fluency.
- Support H.264+/H.264/MJPEG video compression, multi-level video quality configuration; support Basic/Main/High Profile H.264 encoding complexity.
- Multiple OSD color: Black & white self-adaptive; Custom
- Digital WDR is supportable for backlight environment.
- Support defog, BLC, HLC.

Infrared

- Irradiation distance is up to 30m
- Smart IR, prevent over-exposure in close distance

System

- Support ONVIF (profile S/profile G), ISAPI protocol.
- Support three streams, and Support 20 channels live view at the same time.
- AF automatic fast focus, maintain focused during zooming
- Anti-surge, anti-static, IK10 protection level.

Interface

- Support standard 128G Micro SD/SDHC/SDXC card storage.
- Support 10M/100M/1000M Ethernet Port.
- Support Audio I/O.
- Support Alarm I/O
- Support CVBS analog output (4CIF resolution)

Security

- Support three-level user authentication management, user and password authorization, IP address filtering and anonymous access.
- Support security certificate as HTTPS; support creating certificate.
- Basic and digest authentication is supportable in IE configuration
- Lock user IP for many times error login

DS-2CD4125FWD-IZ 2MP Smart IP Indoor Dome Camera

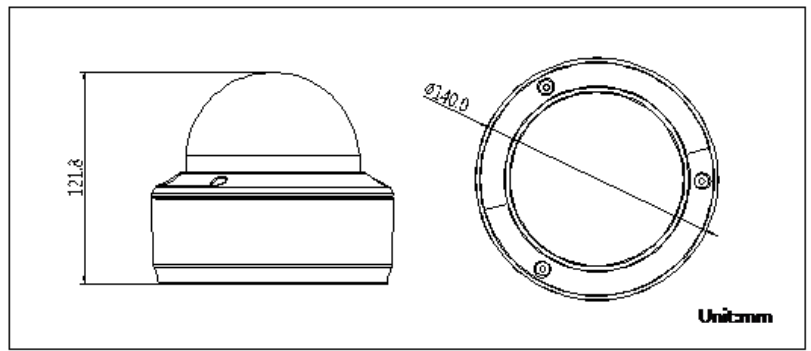
LIGHTFIGHTER



Specification

Camera	
Image Sensor	1/2.8" Progressive Scan CMOS
Min. Illumination	0.005 Lux @ (F1.2, AGC ON), 0 lux with IR 0.007 Lux @ (F1.4, AGC ON), 0 lux with IR
Shutter Speed	1s ~ 1/100,000s
Slow Shutter	Support
Lens	2.8-12mm @ F1.4, angle of view: 113-33.8°
Lens Mount	Φ14
Angle Adjustment	Pan: 0°-355°, Tilt: 0°-75°, Rotation: 0°-355°
Auto-iris	DC drive
Day & Night	Electronic (-I: IR cut filter with auto switch)
WDR	140dB
Compression Standard	
Video Compression	H.264+/H.264/MJPEG
H.264 Type	Baseline Profile / Main Profile / High Profile
Video Bit Rate	32 Kbps – 16 Mbps
Audio Compression	G.711/G.722.1/G.726/MP2L2
Audio Bit Rate	64Kbps(G.711) / 16Kbps(G.722.1) / 16Kbps(G.726) / 32-128Kbps(MP2L2)
Image	
Max. Resolution	1920 × 1080
Frame Rate	50Hz: 50fps (1920 × 1080)/(1280 × 960)/(1280 × 720) 60Hz: 60fps (1920 × 1080)/(1280 × 960)/(1280 × 720)
Third Stream	Independent with Main Stream and Sub Stream, up to 50/60Hz: 20fps(1280 × 720)
Image Enhancement	BLC/HLC/3D DNR/ROI/Defog
Image Setting	Saturation, Brightness, Contrast, Sharpness adjustable by client software or web browser
Regional Cropping	Support
Day/Night Switch	Auto/Schedule/Triggered by Alarm In
Picture Overlay	LOGO picture can be overlaid on video with 128x128 24bit bmp format
Network	
Network Storage	NAS (Support NFS,SMB/CIFS), ANR
Alarm Trigger	Motion detection, Tampering alarm, Network disconnect, IP address conflict, Storage exception
Protocols	TCP/IP, UDP, ICMP, HTTP, HTTPS, FTP, DHCP, DNS, DDNS, RTP, RTSP, RTCP, PPPoE, NTP, UPnP, SMTP, SNMP, IGMP, 802.1X, QoS, IPv6, Bonjour
Security	User Authentication, Watermark, IP address filtering, Anonymous access
Standard	ONVIF(PROFILE S,PROFILE G),ISAPI
Interface	
Audio	1-ch 3.5 mm audio in (Mic in/Line in)/out interface
Communication Interface	1 RJ45 10M/100M/1000M Ethernet port, 1 RS-485 interface
Alarm	1 input, 1 output (up to DC24V 1A or AC110V 500mA)
Video Output	1Vp-p composite output (75 Ω/BNC)
On-board storage	Built-in Micro SD/SDHC/SDXC slot, up to 128 GB
Reset Button	Yes

Dimensions



Audio

Environment Noise Filtering	Support
Audio I/O	Support
Audio Sampling Rate	16kHz / 32kHz / 44.1kHz / 48kHz

Smart Feature-set

Behavior Analysis	Line crossing detection, Intrusion detection, Region entrance, Region exiting, Unattended baggage, Object removal
Line Crossing Detection	Cross a pre-defined virtual line
Intrusion Detection	Enter and loiter in a pre-defined virtual region
Region Entrance	Enter a pre-defined virtual region from the outside place
Region Exiting	Exit from a pre-defined virtual region
Unattended Baggage	Objects left over in the pre-defined region such as the baggage, purse, dangerous materials
Object Removal	Objects removed from the pre-defined region, such as the exhibits on display.
Exception Detections	Scene change detection, Sudden audio increase/decrease detection, Audio loss detection, Defocus detection
Recognition	Face detection
Statistics	Object Counting (Entrance and Exit object number is accounted and showed on screen in real time)
Heat Map	Support

General

Impact Protection	IK10
IR Distance	30m
Operating Conditions	-30 °C – 60 °C (-22 °F – 140 °F), Humidity 95% or less (non-condensing)
Power Supply	12 V DC ± 10%, PoE (802.3af)
Power Consumption	Max. 6 W (Max. 9W, IR: 2W, motorized VF lens: 1W)
Dimensions	Φ 140 × 121.8 mm (Φ 5.51" × 4.80")
Weight	1400 g (3.09 lbs)

Order Models

DS-2CD4125FWD-IZ

Accessories



DS-1271ZJ-130
Pendant Mount



DS-1273ZJ-130
Wall Mount



DS-1273ZJ-130B
Wall mount



DS-1227ZJ
In-ceiling Mount



DS-1275ZJ-SUS
Vertical pole Mount



DS-1276ZJ-SUS
Corner Mount



DS-1281ZJ-DM23
Inclined ceiling Mount